

SO#:

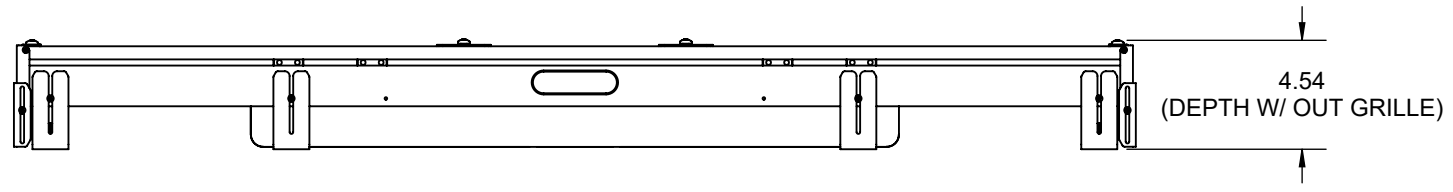
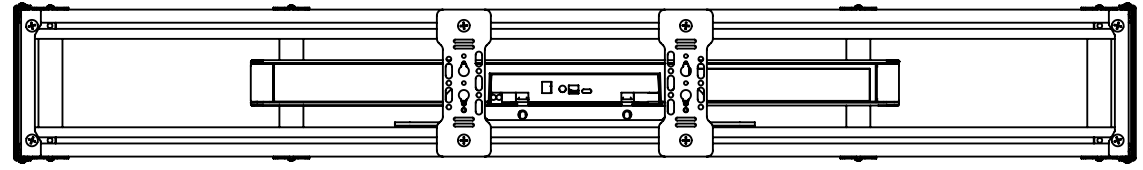
INVENTORY PN:

SERIES: Tonecase

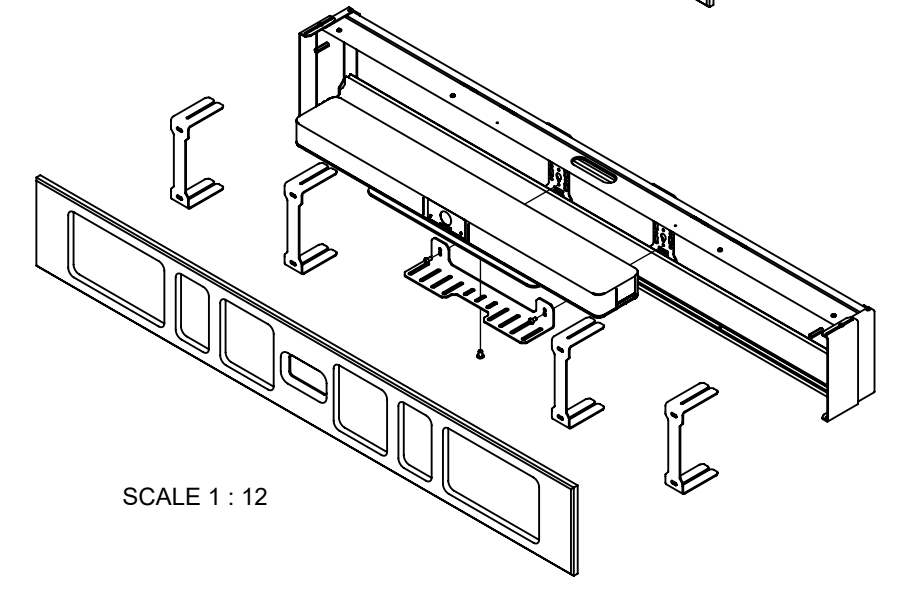
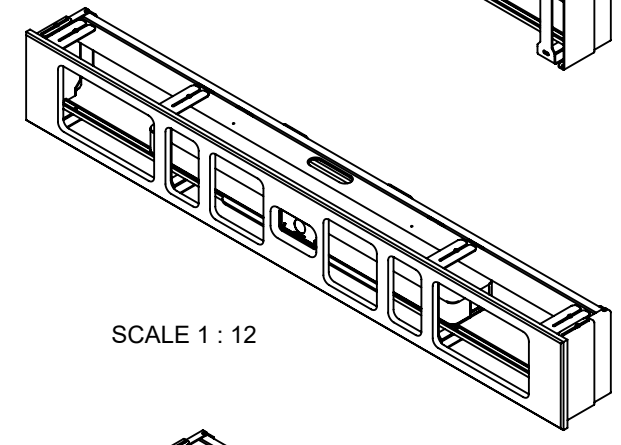
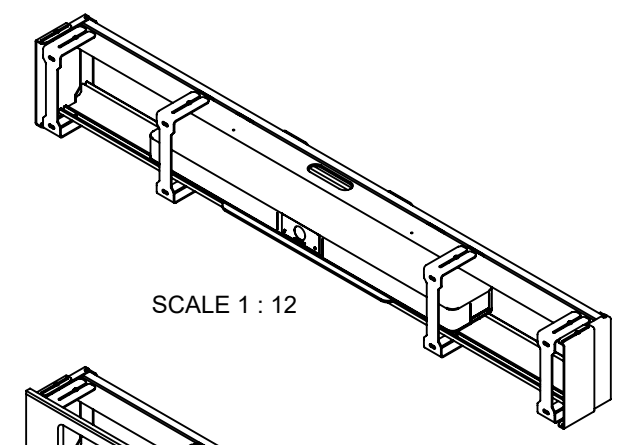
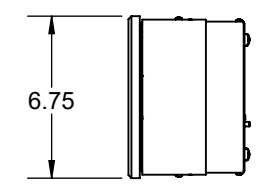
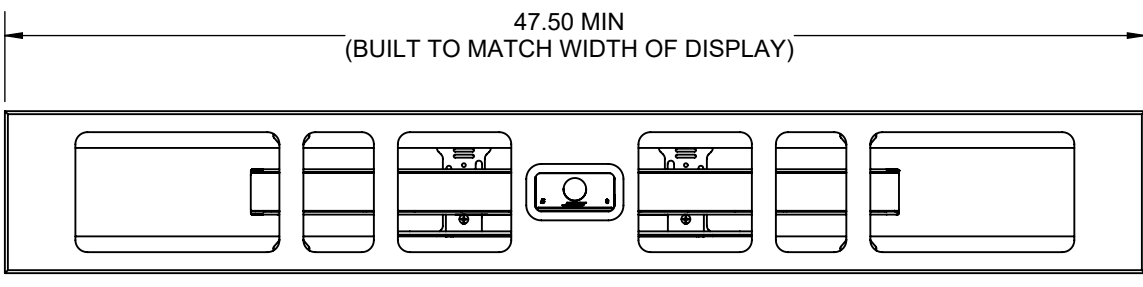
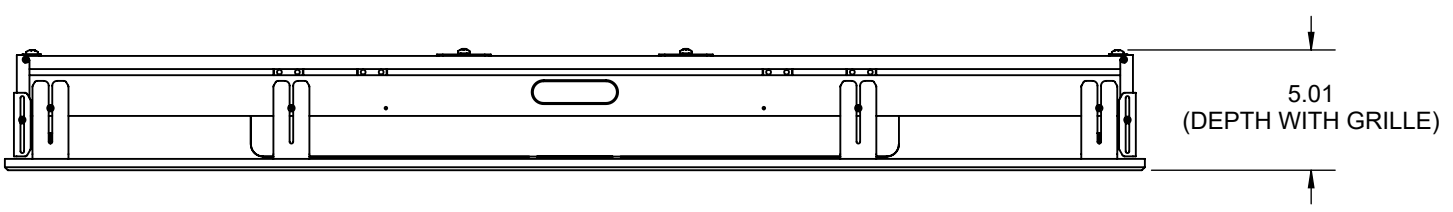
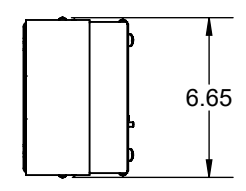
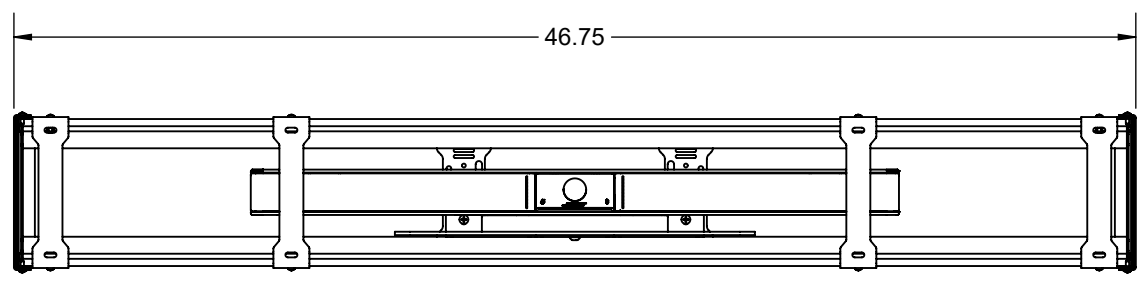
SKU: TCFIT-U

| REVISIONS |                 |            |          |
|-----------|-----------------|------------|----------|
| REV.      | DESCRIPTION     | DATE       | APPROVED |
| A-01      | INITIAL RELEASE | 12/09/2021 | mwild    |

BACK VIEW  
(W/ OUT GRILLE)



FRONT VIEW  
(W/ OUT GRILLE)



NOTES - UNLESS OTHERWISE SPECIFIED -

- 1. DIMENSIONS MARKED WITH A
- SYMBOL MUST BE INCLUDED IN INSPECTION PLAN
- 2. ANY UNSPECIFIED DIMENSION REFER TO MEAN 3D DATA

|           |       |           |
|-----------|-------|-----------|
| DRAWN     | JHalt | 12/2/2021 |
| CHECKED   |       |           |
| ENG APPR. | mwild | 12/9/2021 |

**Leon** 1 (888) 213-5015 | WWW.LEONSPEAKERS.COM

DESCRIPTION  
MKTG DWG, TcFIT-U FOR BOSE VB1

|  |              |              |          |
|--|--------------|--------------|----------|
| DIMENSIONS ARE IN INCHES [millimeters]   |              | SIZE         | DWG. NO. |
| <small>PROPRIETARY AND CONFIDENTIAL</small><br><small>Leon Hand-Crafted Speakers, Inc ©2020, All rights reserved</small><br><small>THE INFORMATION CONTAINED IN THIS DRAWING IS THE SOLE PROPERTY OF Leon Hand-Crafted Speakers, Inc. ANY REPRODUCTION IN PART OR AS A WHOLE WITHOUT THE WRITTEN PERMISSION OF Leon Hand-Crafted Speakers, Inc IS PROHIBITED</small> |              | <b>B</b>     | 1002598  |
| SCALE: 1:8   | DO NOT SCALE | SHEET 1 OF 1 |          |