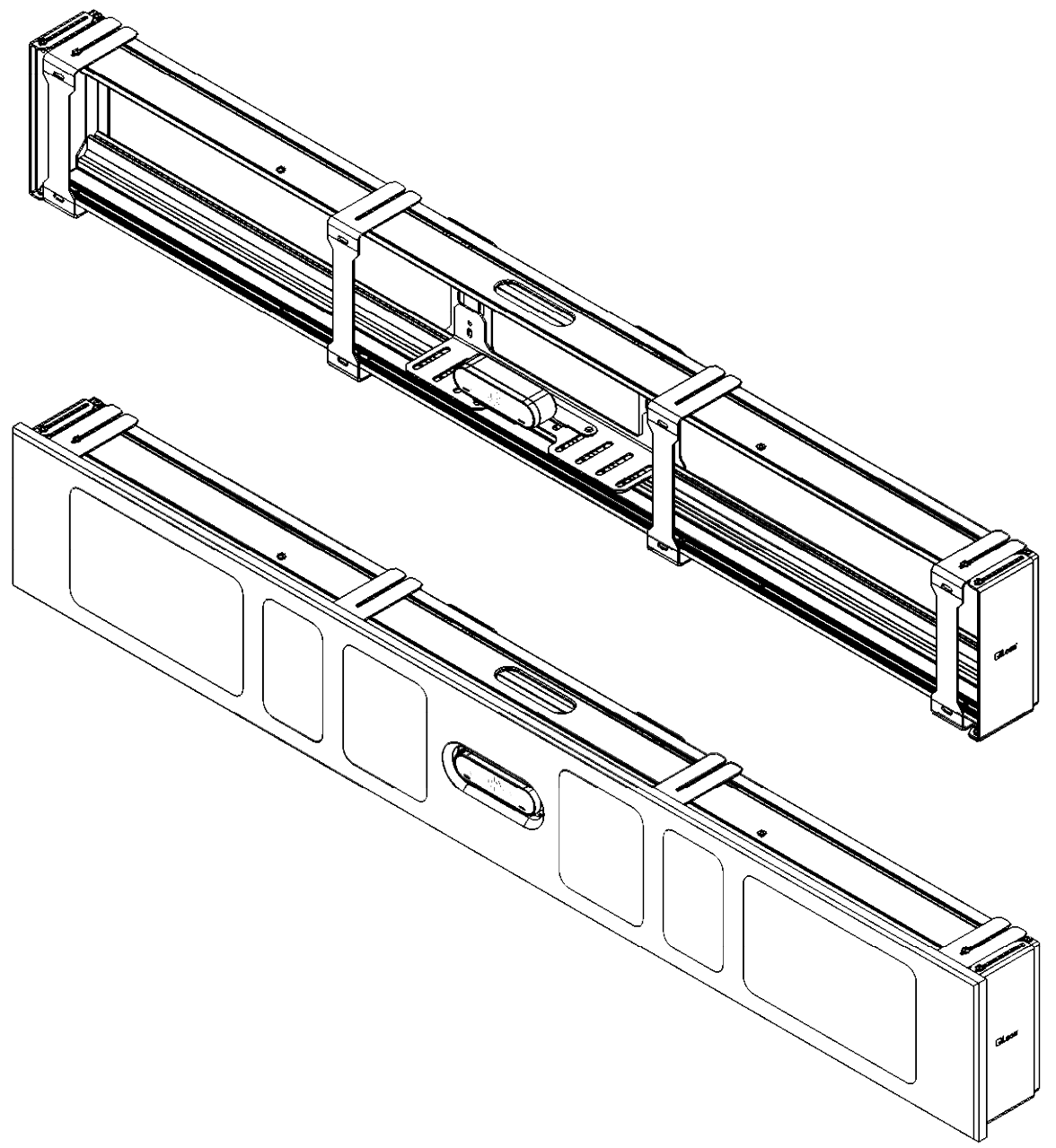
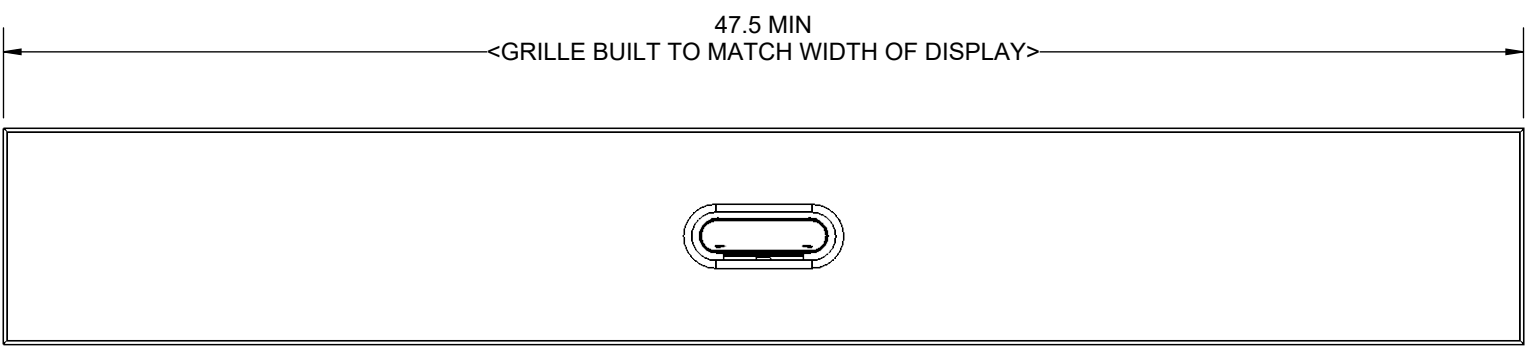
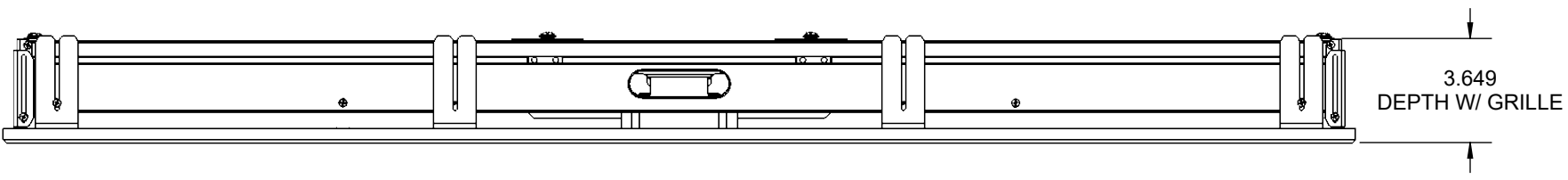
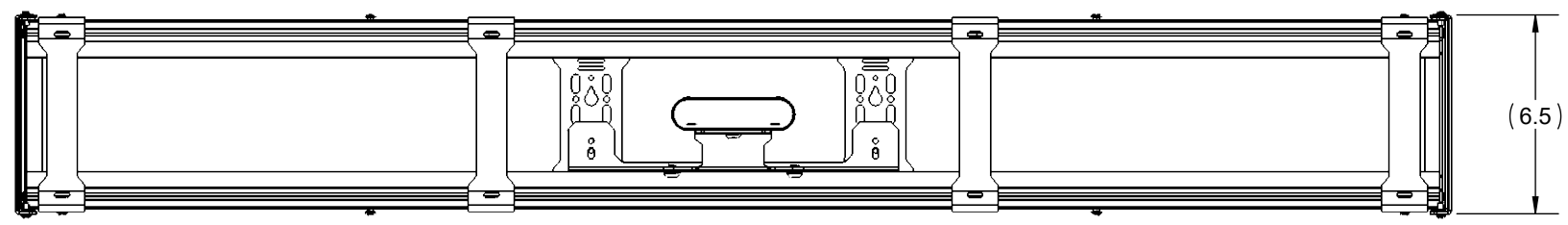
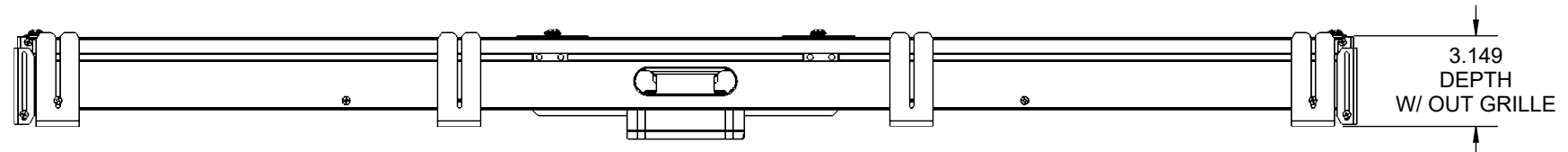


REVISIONS			
REV.	DESCRIPTION	DATE	APPROVED
A-01	INITIAL RELEASE	12/16/2020	GKo



**NOTES - UNLESS OTHERWISE SPECIFIED -**

1. DIMENSIONS MARKED WITH A  
 SYMBOL MUST BE INCLUDED IN INSPECTION PLAN
2. ANY UNSPECIFIED DIMENSION REFER TO MEAN 3D DATA

<i>DRAWN</i>	JHa	12/10/2020
<i>CHECKED</i>	GKo	12/16/2020
<i>ENG APPR.</i>	GKo	12/16/2020

Leon®
1 (888) 213-5015 | WWW.LEONSPEAKERS.COM

*DIMENSIONS ARE IN INCHES [millimeters]*

**DESCRIPTION**

MKTG DWG, TcFIT-U FOR LOGITECH BRIO

**PROPRIETARY AND CONFIDENTIAL**  
 Leon Hand-Crafted Speakers, Inc ©2020, All rights reserved  
 THE INFORMATION CONTAINED IN THIS DRAWING IS THE SOLE PROPERTY OF Leon Hand-Crafted Speakers, Inc. ANY REPRODUCTION IN PART OR AS A WHOLE WITHOUT THE WRITTEN PERMISSION OF Leon Hand-Crafted Speakers, Inc IS PROHIBITED.

<b>SIZE</b>	<b>DWG. NO.</b>	1000180	
<b>B</b>		SCALE: 1:6	DO NOT SCALE
		SHEET 1 OF 2	

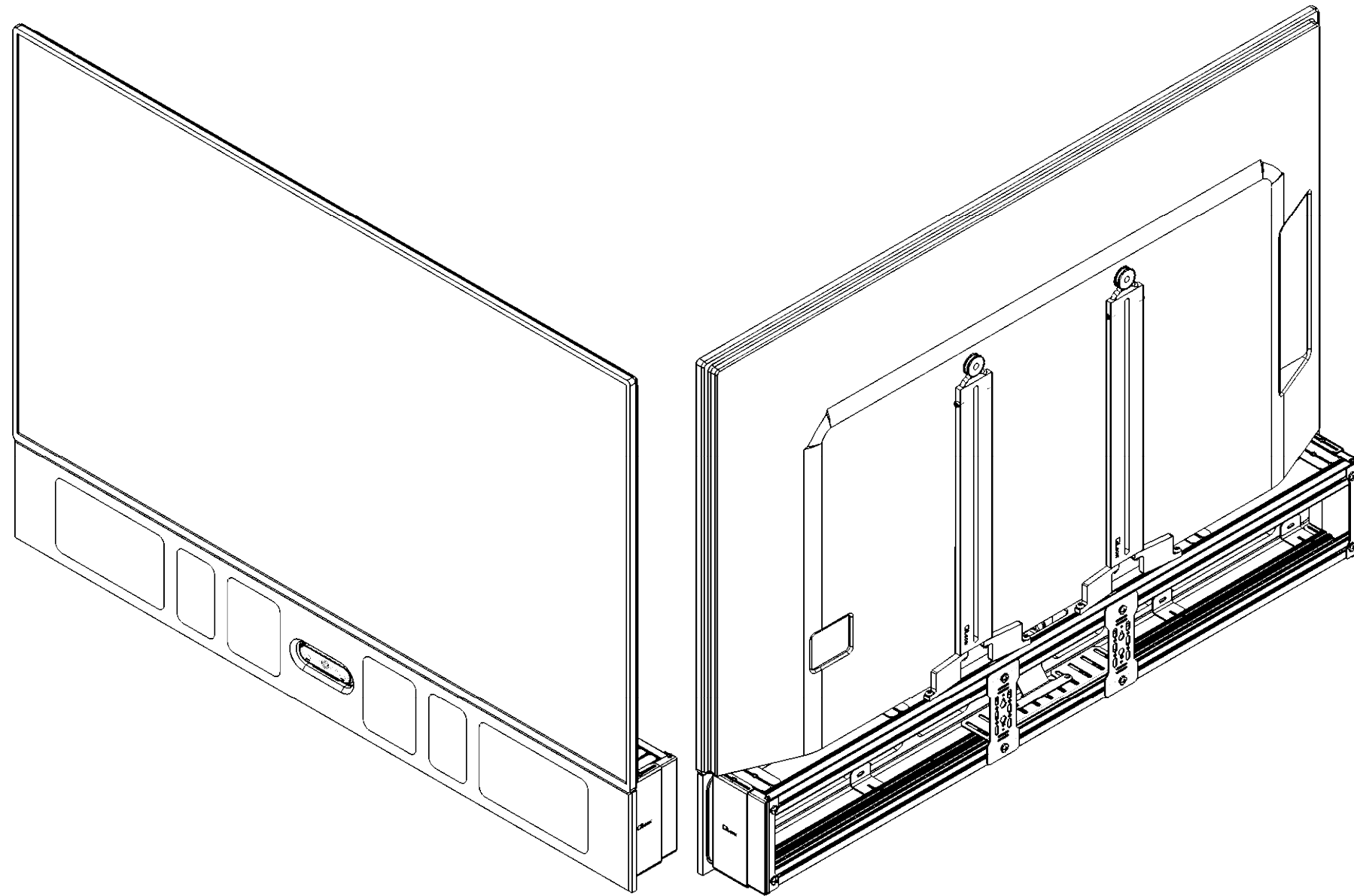
SO#:

INVENTORY PN:

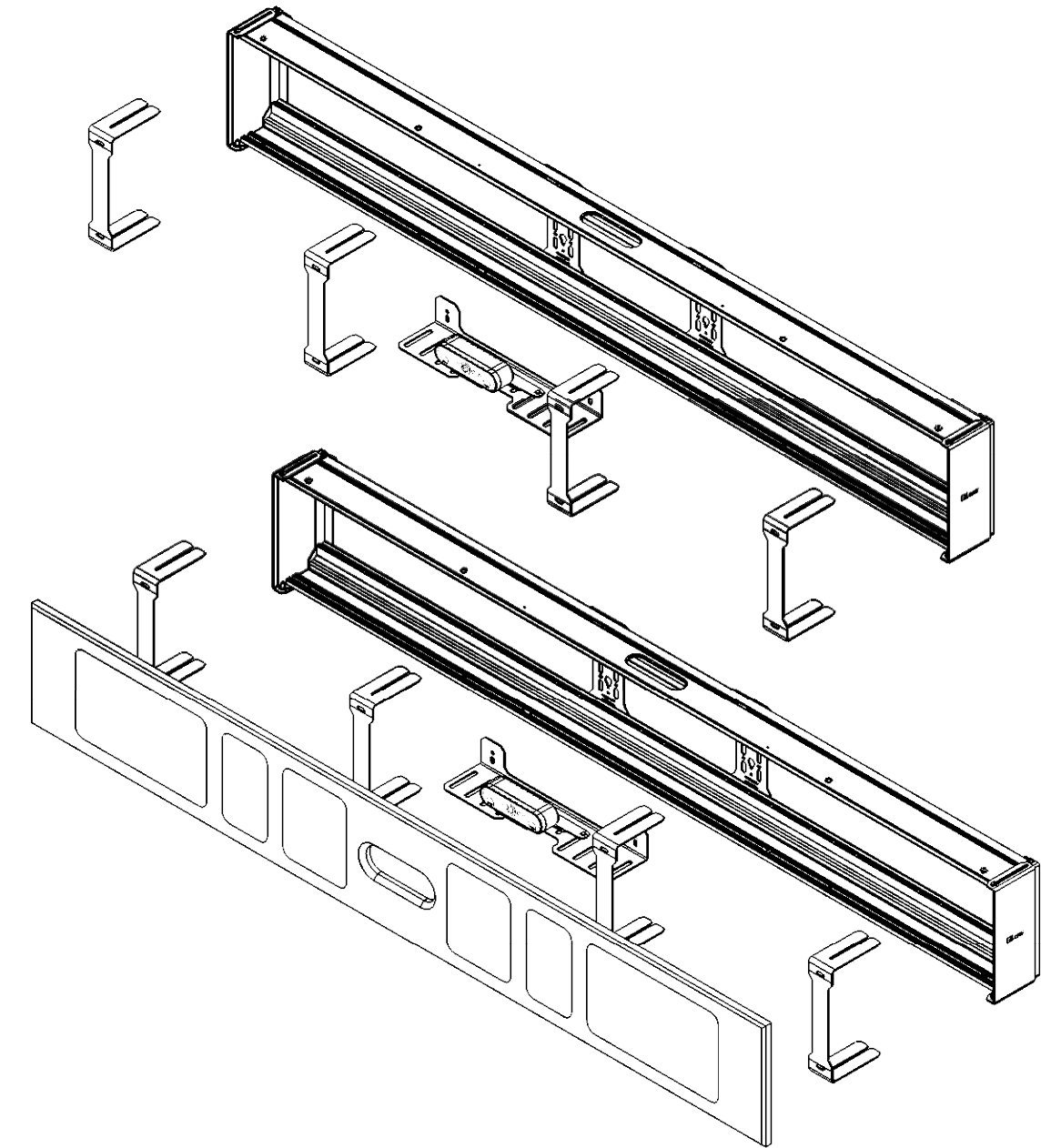
SERIES: **Tonecase**Tonecase

SKU: TcFIT-U

REVISIONS			
REV.	DESCRIPTION	DATE	APPROVED
-	SEE SHEET 1	-	-



UNDER MOUNT - MOUNTING OPTION



<i>DRAWN</i>	JHa	12/10/2020
<i>CHECKED</i>	GKo	12/16/2020
<i>ENG APPR.</i>	GKo	12/16/2020

**Leon**® 1 (888) 213-5015 | WWW.LEONSPEAKERS.COM

*DIMENSIONS ARE IN INCHES [millimeters]*

**DESCRIPTION**  
MKTG DWG, TcFIT-U FOR LOGITECH BRIO

**PROPRIETARY AND CONFIDENTIAL**  
Leon Hand-Crafted Speakers, Inc ©2020. All rights reserved.  
THE INFORMATION CONTAINED IN THIS DRAWING IS THE SOLE PROPERTY OF Leon Hand-Crafted Speakers, Inc. ANY REPRODUCTION IN PART OR AS A WHOLE WITHOUT THE WRITTEN PERMISSION OF Leon Hand-Crafted Speakers, Inc IS PROHIBITED.

<b>SIZE</b> <b>B</b>	<b>DWG. NO.</b> 1000180	<b>SCALE:</b> 1:8	<b>DO NOT SCALE</b>	<b>SHEET 2 OF 2</b>
-------------------------	----------------------------	-------------------	---------------------	---------------------