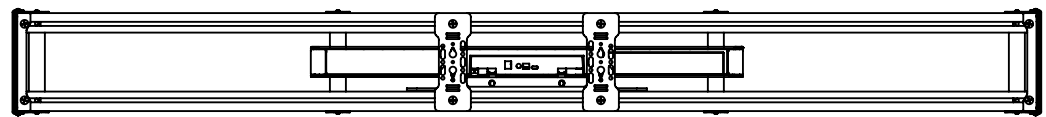
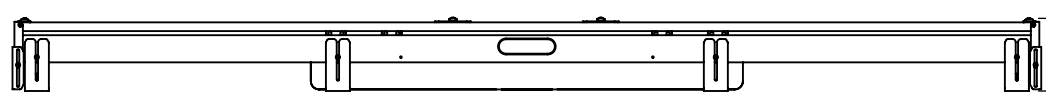


REVISIONS			
REV.	DESCRIPTION	DATE	APPROVED
A-01	INITIAL RELEASE	12/09/2021	mwild

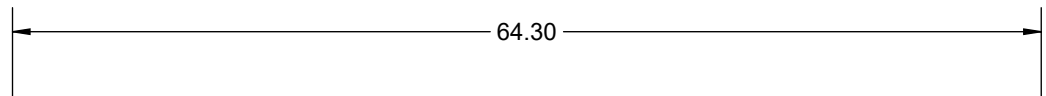
BACK VIEW
(W/ OUT GRILLE)



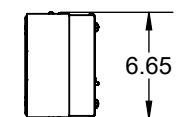
FRONT VIEW
(W/ OUT GRILLE)



4.54
(DEPTH W/ OUT GRILLE)

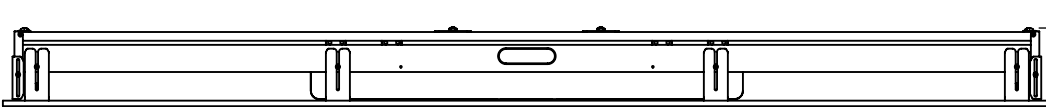


64.30

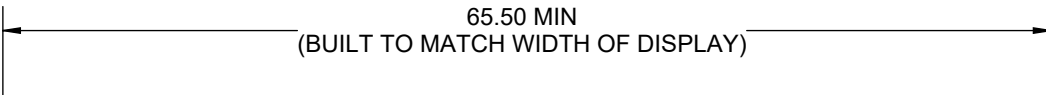


6.65

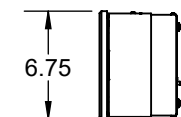
FRONT VIEW
(W/ GRILLE)



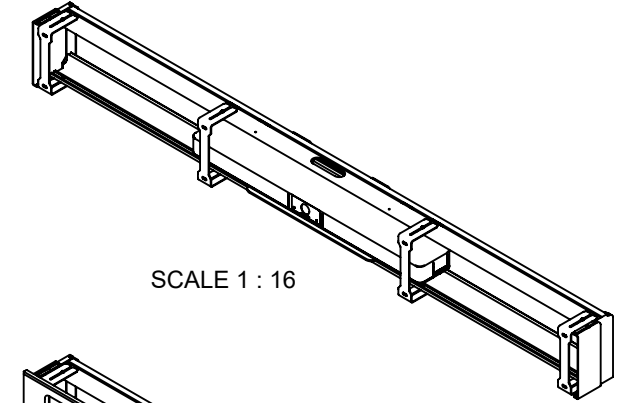
5.01
(DEPTH WITH GRILLE)



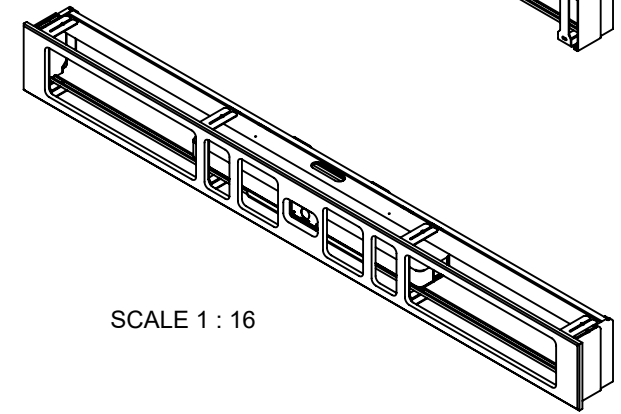
65.50 MIN
(BUILT TO MATCH WIDTH OF DISPLAY)



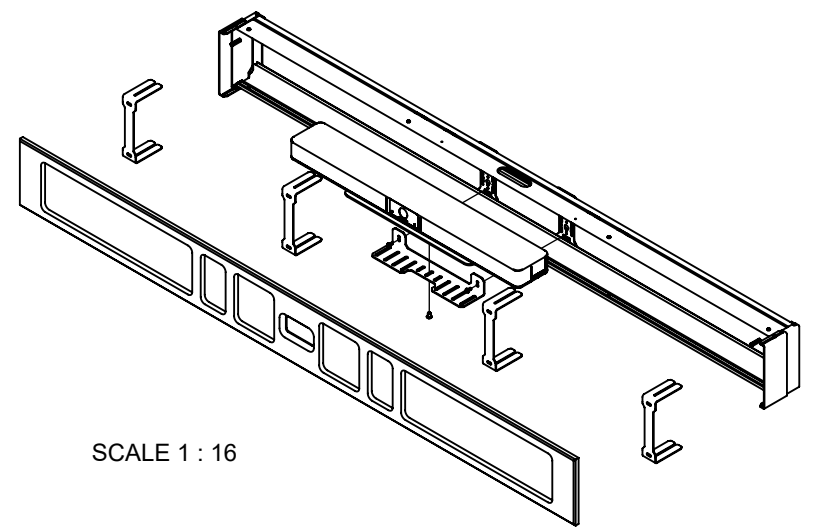
6.75



SCALE 1 : 16



SCALE 1 : 16



SCALE 1 : 16

NOTES - UNLESS OTHERWISE SPECIFIED -

- DIMENSIONS MARKED WITH A
 SYMBOL MUST BE INCLUDED IN INSPECTION PLAN
- ANY UNSPECIFIED DIMENSION REFER TO MEAN 3D DATA

<i>DRAWN</i>	JHalt	12/2/2021
<i>CHECKED</i>		
<i>ENG APPR.</i>	mwild	12/9/2021

Leon 1 (888) 213-5015 | WWW.LEONSPEAKERS.COM

DESCRIPTION

MKTG DWG, TcFIT-U-OS FOR BOSE VB1

DIMENSIONS ARE IN INCHES [millimeters]

PROPRIETARY AND CONFIDENTIAL
 Leon Hand-Crafted Speakers, Inc ©2020, All rights reserved
 THE INFORMATION CONTAINED IN THIS DRAWING IS THE
 SOLE PROPERTY OF Leon Hand-Crafted Speakers, Inc. ANY
 REPRODUCTION IN PART OR AS A WHOLE WITHOUT THE
 WRITTEN PERMISSION OF Leon Hand-Crafted Speakers, Inc
 IS PROHIBITED

<i>SIZE</i>	<i>DWG. NO.</i>	1002599
B		
SCALE: 1:12	DO NOT SCALE	SHEET 1 OF 1