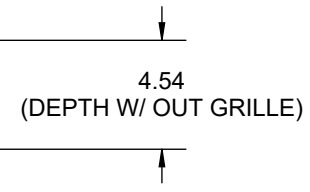
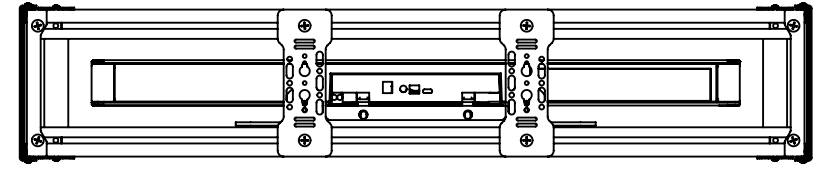
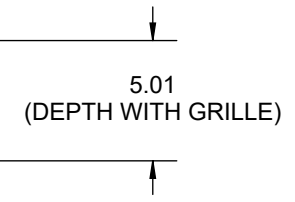
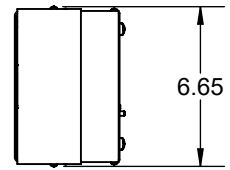
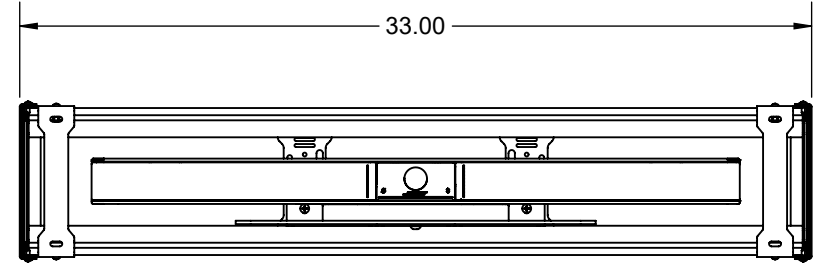


REVISIONS			
REV.	DESCRIPTION	DATE	APPROVED
A-01	INITIAL RELEASE	12/09/2021	mwild

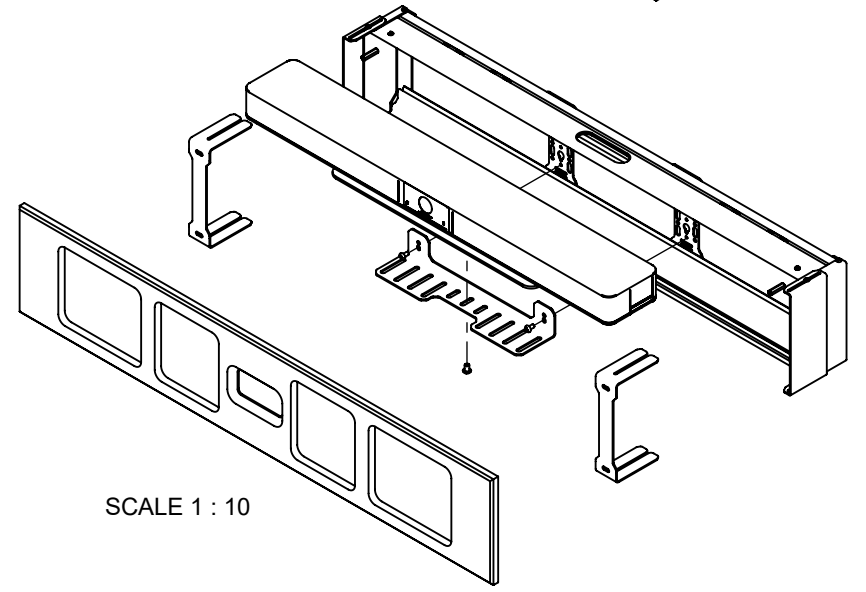
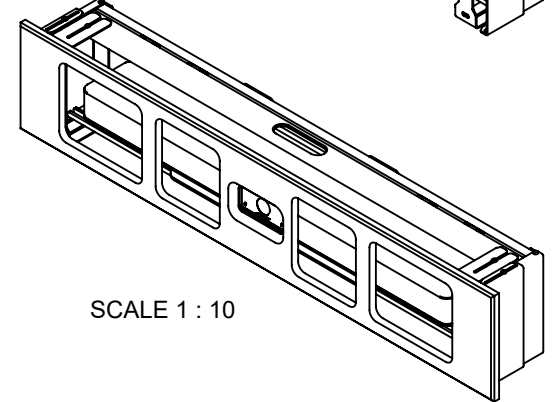
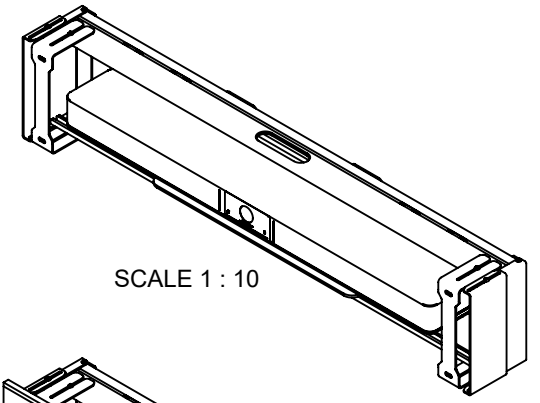
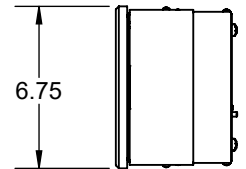
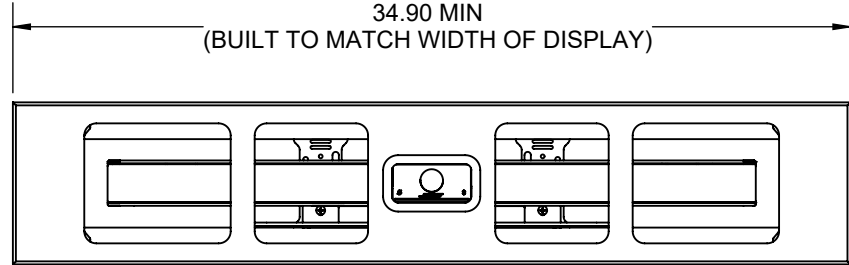
BACK VIEW
(W/ OUT GRILLE)



FRONT VIEW
(W/ OUT GRILLE)



FRONT VIEW
(W/ GRILLE)



- NOTES - UNLESS OTHERWISE SPECIFIED -
- DIMENSIONS MARKED WITH A
 SYMBOL MUST BE INCLUDED IN INSPECTION PLAN
 - ANY UNSPECIFIED DIMENSION REFER TO MEAN 3D DATA

<i>DRAWN</i>	JHalt	12/2/2021
<i>CHECKED</i>		
<i>ENG APPR.</i>	mwild	12/9/2021

Leon 1 (888) 213-5015 | WWW.LEONSPEAKERS.COM

DESCRIPTION

MKTG DWG, TcFIT-U-S FOR BOSE VB1

DIMENSIONS ARE IN INCHES [millimeters]

PROPRIETARY AND CONFIDENTIAL
Leon Hand-Crafted Speakers, Inc ©2020, All rights reserved
THE INFORMATION CONTAINED IN THIS DRAWING IS THE SOLE PROPERTY OF Leon Hand-Crafted Speakers, Inc. ANY REPRODUCTION IN PART OR AS A WHOLE WITHOUT THE WRITTEN PERMISSION OF Leon Hand-Crafted Speakers, Inc IS PROHIBITED.

<i>SIZE</i> B	<i>DWG. NO.</i> 1002597
SCALE: 1:8	DO NOT SCALE
SHEET 1 OF 1	