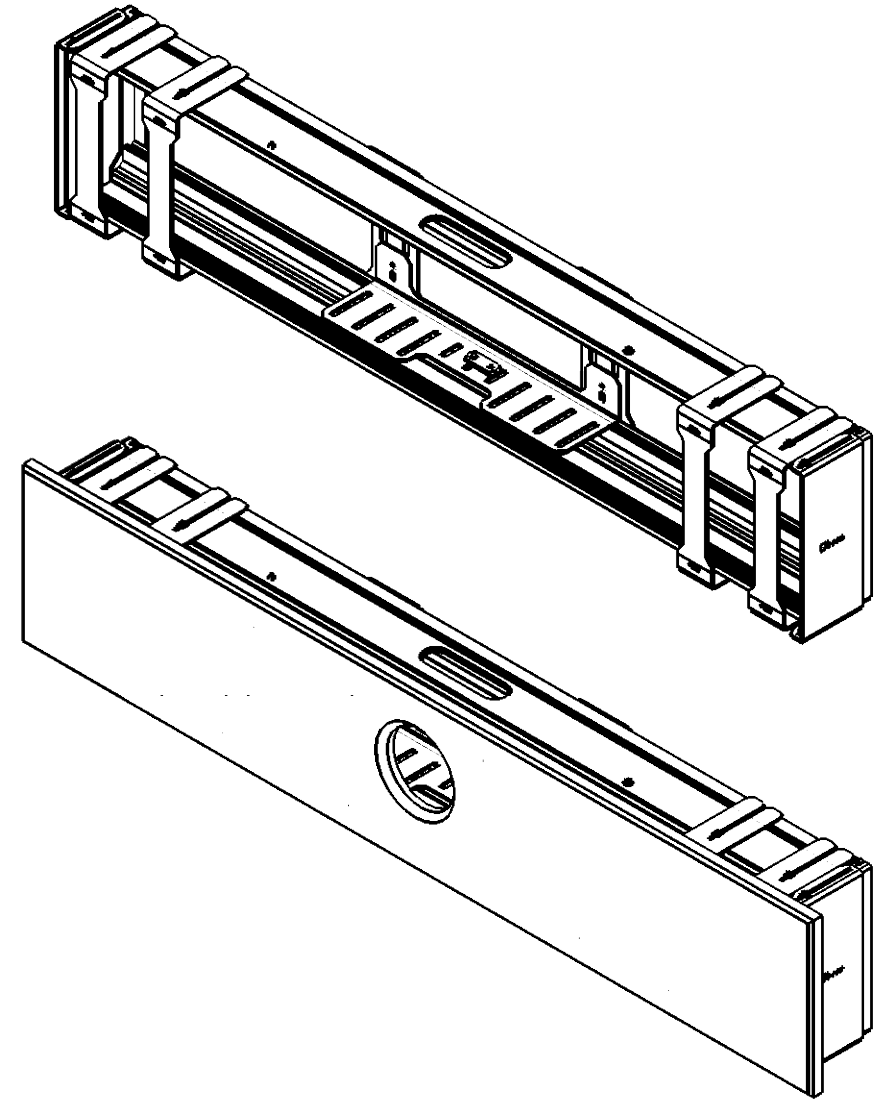
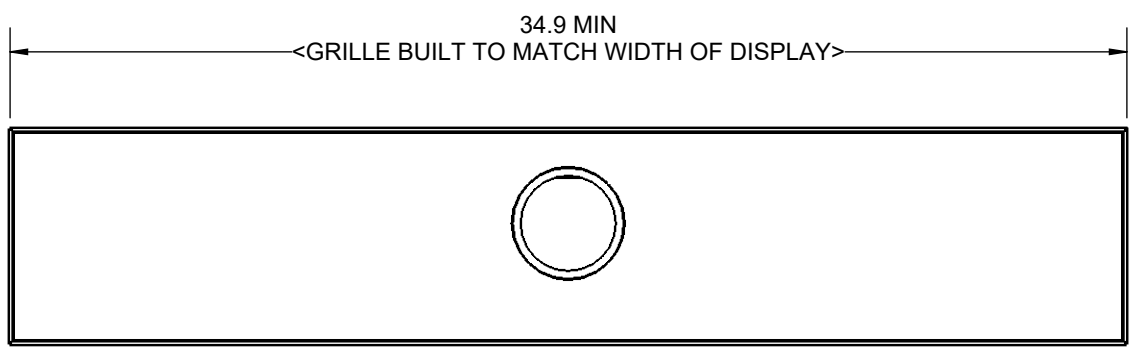
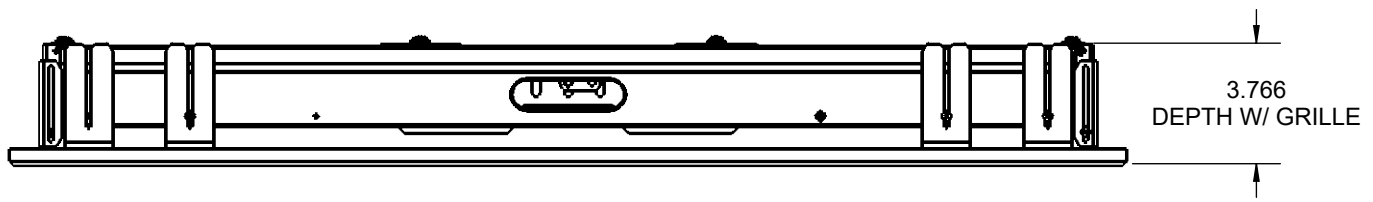
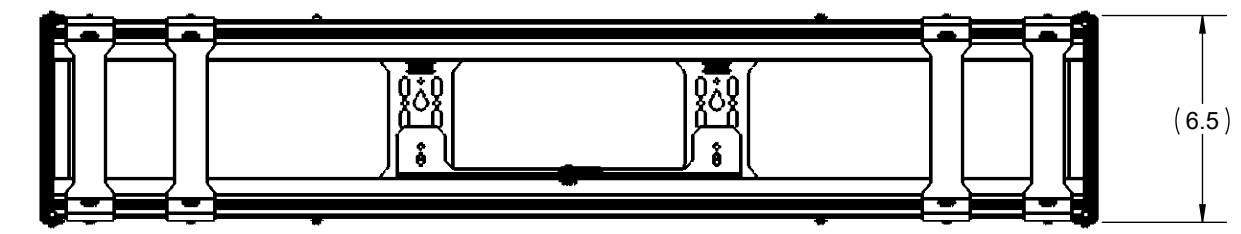
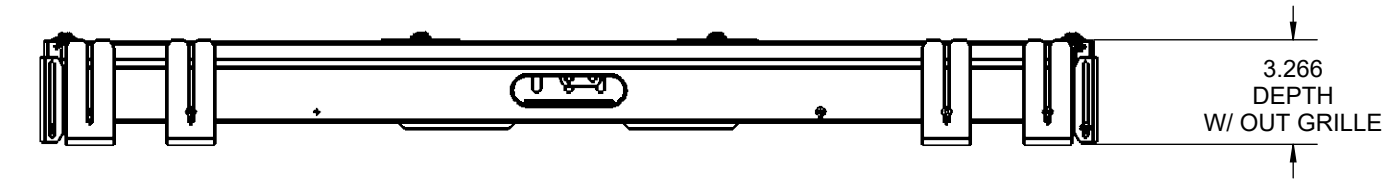


REVISIONS			
REV.	DESCRIPTION	DATE	APPROVED
A-01	INITIAL RELEASE	12/09/2020	GKo



NOTES - UNLESS OTHERWISE SPECIFIED -

1. DIMENSIONS MARKED WITH A
 SYMBOL MUST BE INCLUDED IN INSPECTION PLAN
2. ANY UNSPECIFIED DIMENSION REFER TO MEAN 3D DATA

<i>DRAWN</i>	JHa	12/9/2020
<i>CHECKED</i>	GKo	12/9/2020
<i>ENG APPR.</i>	GKo	12/9/2020

Leon® 1 (888) 213-5015 | WWW.LEONSPEAKERS.COM

DESCRIPTION

MKT DWG, TcFIT-U-S FOR LOGITECH MEETUP

DIMENSIONS ARE IN INCHES [millimeters]

PROPRIETARY AND CONFIDENTIAL
 Leon Hand-Crafted Speakers, Inc ©2020, All rights reserved
 THE INFORMATION CONTAINED IN THIS DRAWING IS THE SOLE PROPERTY OF Leon Hand-Crafted Speakers, Inc. ANY REPRODUCTION IN PART OR AS A WHOLE WITHOUT THE WRITTEN PERMISSION OF Leon Hand-Crafted Speakers, Inc IS PROHIBITED

<i>SIZE</i>	<i>DWG. NO.</i>	1000167	
B			
SCALE: 1:6	DO NOT SCALE		SHEET 1 OF 2

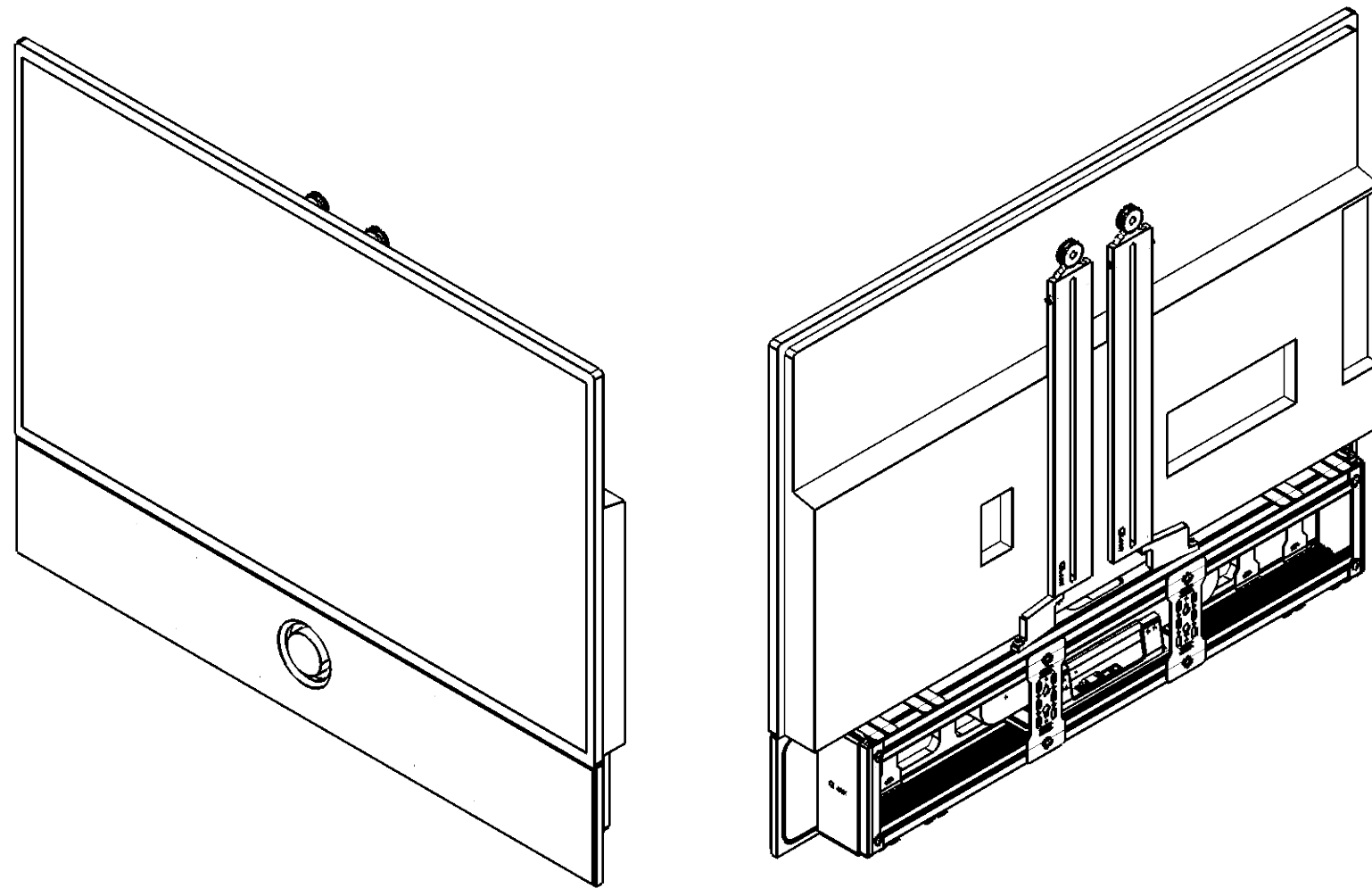
SO#:

INVENTORY PN:

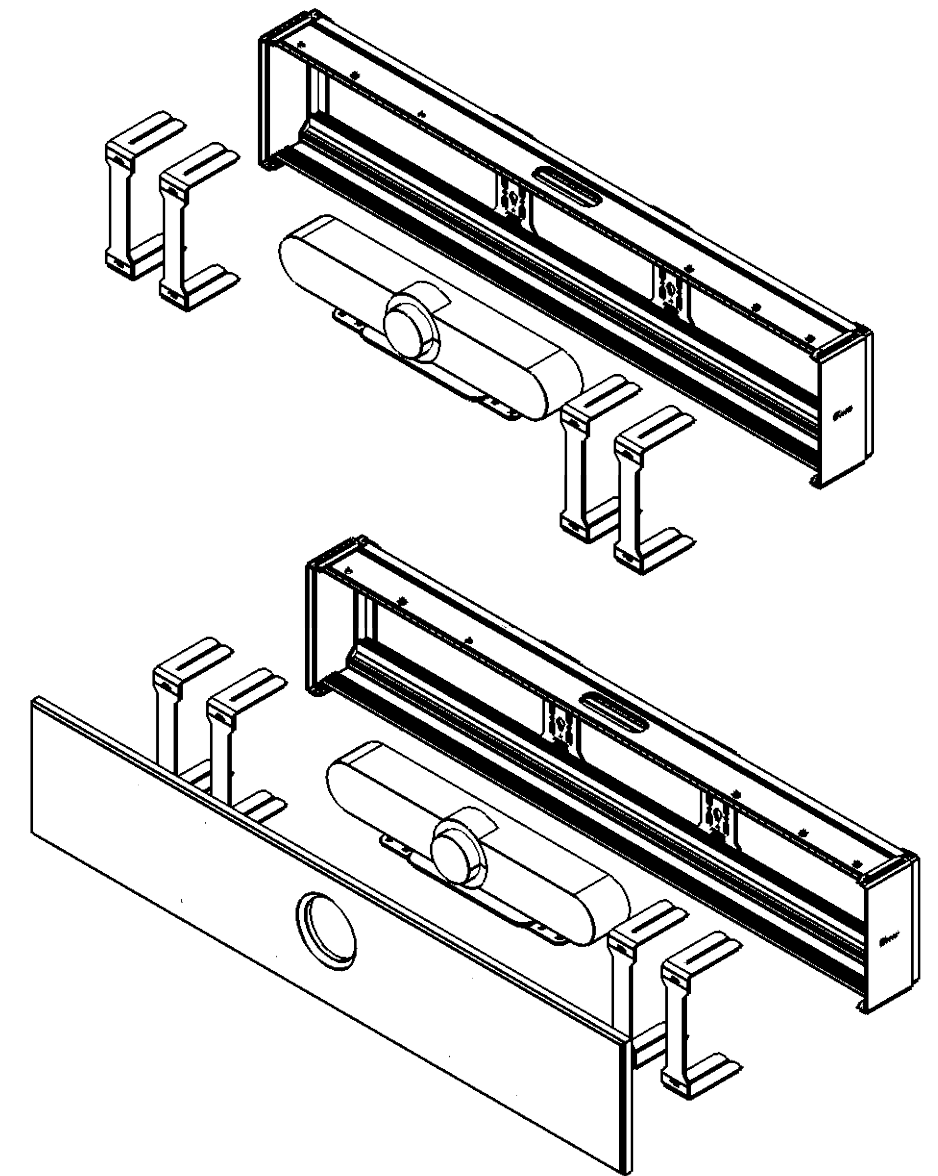
SERIES: **Tonecase**Tonecase

SKU: TcFIT-U-S

REVISIONS			
REV.	DESCRIPTION	DATE	APPROVED
-	SEE SHEET 1	-	-



UNDER MOUNT - MOUNTING OPTION



<i>DRAWN</i>	JHa	12/9/2020
<i>CHECKED</i>	GKo	12/9/2020
<i>ENG APPR.</i>	GKo	12/9/2020

Leon® 1 (888) 213-5015 | WWW.LEONSPEAKERS.COM

DIMENSIONS ARE IN INCHES [millimeters]

DESCRIPTION
MKT DWG, TcFIT-U-S FOR LOGITECH MEETUP

PROPRIETARY AND CONFIDENTIAL
Leon Hand-Crafted Speakers, Inc ©2020, All rights reserved
THE INFORMATION CONTAINED IN THIS DRAWING IS THE SOLE PROPERTY OF Leon Hand-Crafted Speakers, Inc. ANY REPRODUCTION IN PART OR AS A WHOLE WITHOUT THE WRITTEN PERMISSION OF Leon Hand-Crafted Speakers, Inc IS PROHIBITED

SIZE B	DWG. NO. 1000167
SCALE: 1:8	DO NOT SCALE