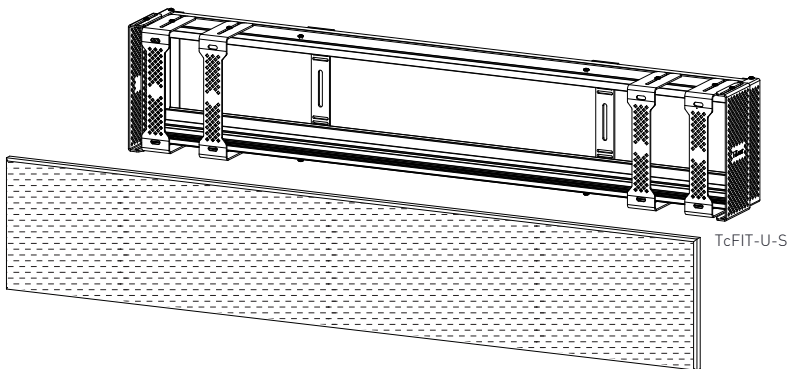
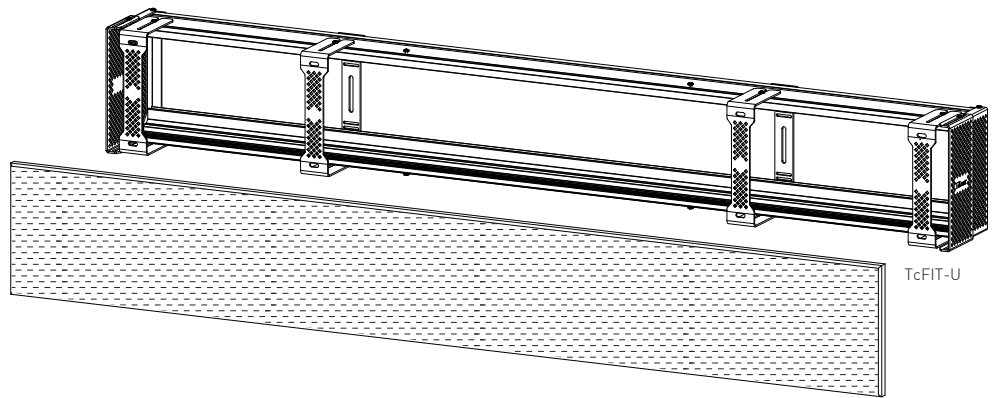
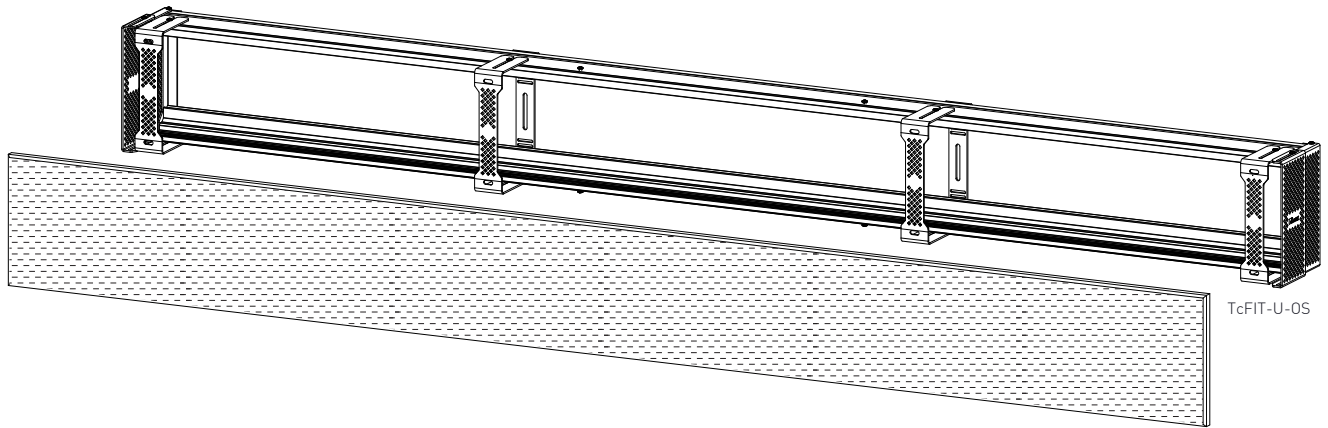


TcFIT-Universal

TcFIT-U / TcFIT-U-S / TcFIT-U-OS

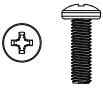

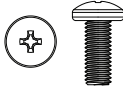







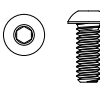


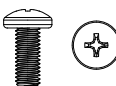


For assistance call (888) 213-5015 Mon-Fri 9am-6pm ET or visit www.leonspeakers.com

REF-25-XXX



INCLUDED HARDWARE

<p>A 4X M6 x 20mm Screw</p> 	<p>B 4X M6 x 30mm Screw</p> 	<p>C 4X M8 x 20mm Screw</p> 	<p>D 4X M8 x 30mm Screw</p> 	<p>E 8X 1/8" Spacer</p> 	<p>F 8X 1/4" Spacer</p> 	<p>G 4X M6 Lock Washer</p> 
<p>H 4X M8 Lock Washer</p> 	<p>I 4X M8 Flat Washer</p> 	<p>J 1X 5/32" Hex Key</p> 	<p>K 4X 1/4"-20 x 5/8" Screw</p> 	<p>L 2X Foam Tape</p> 	<p>M 2X Hex Standoff</p> 	<p>N 2X M5 x 12mm Screw for SONOS® Arc</p> 

Drawings not to scale

BEFORE INSTALLATION

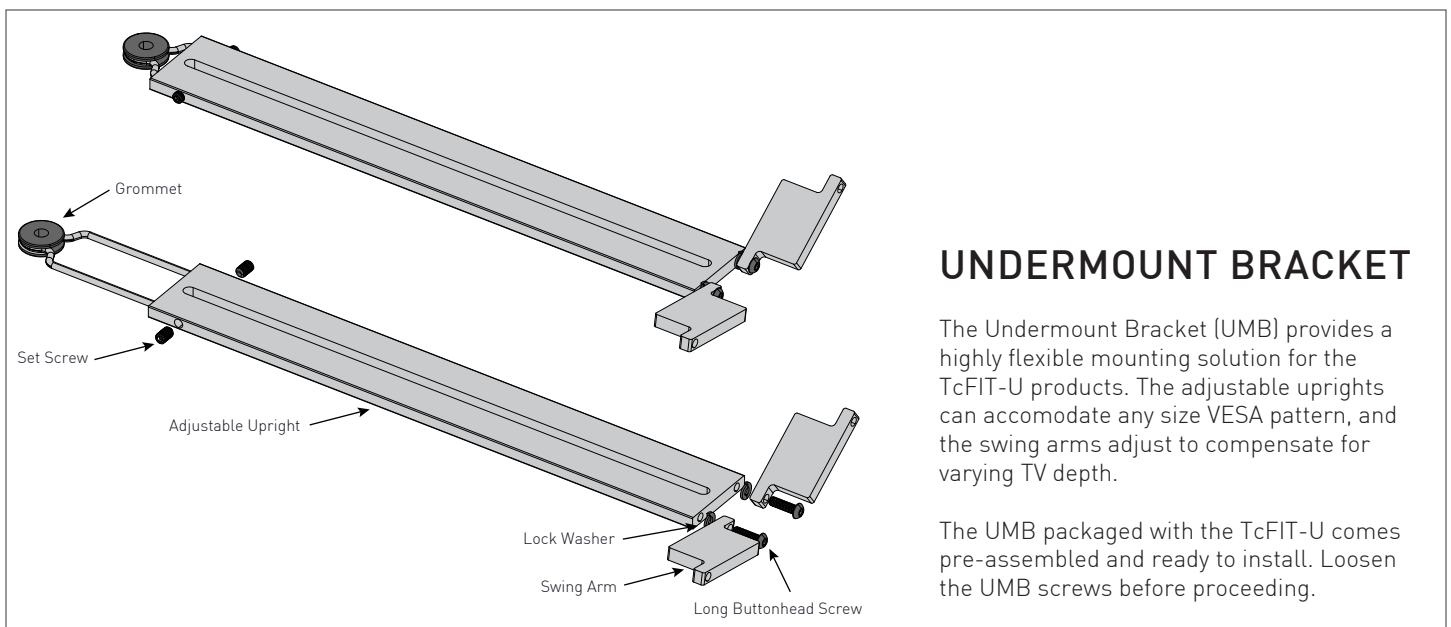
Choose an installation location free of physical obstructions behind or within the wall.

Working near electrical equipment and wires poses an electrocution hazard. Turn off nearby electrical circuits from the breaker. Use a non-contact voltage tester to confirm that the installation location is free of live electrical wires and equipment prior to cutting or drilling into the wall. Contact a qualified electrician before making any modifications to electrical wiring.

Determine the potential hazards of working with hand or power tools and take the appropriate safety precautions. Use personal protective equipment (PPE) as appropriate, including, but not limited to: vision, hearing, and respiratory protection.

Consult local building and/or electrical codes prior to installation of speakers, cabling, or electrical equipment.

NOTE: This manual covers the TcFIT-U installation procedure for most third-party soundbars and other equipment. Select products have additional steps that are covered in their own unique manual. Contact customer service for additional information.



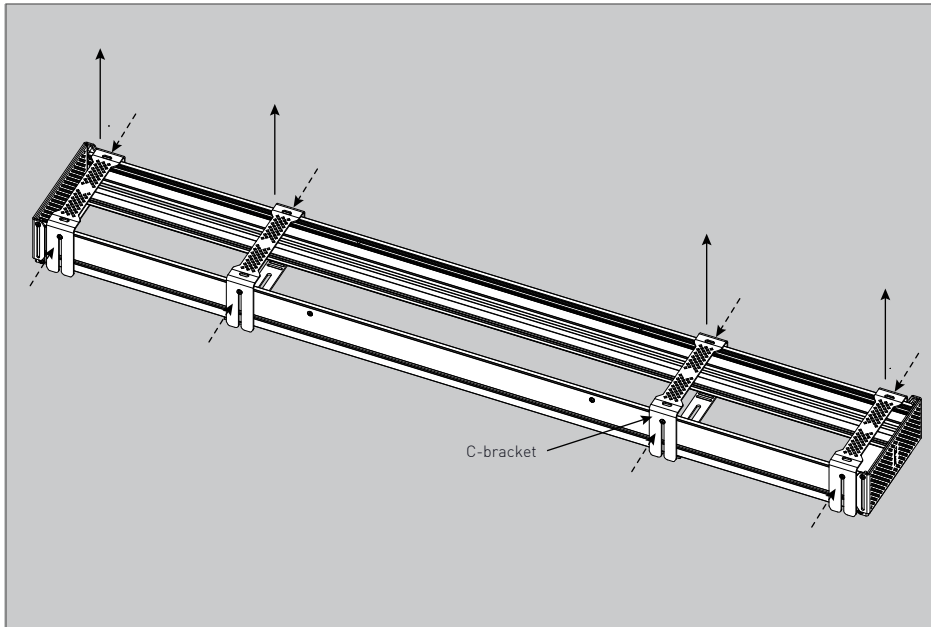


Fig. 1
Unpack the TcFIT-U

Unpack the TcFIT-U, UMB, and custom grille. Place the TcFIT-U on its back and loosen the 8 screws that secure the 4 C-brackets. Remove the C-brackets.

NOTE: Reference the Leon logos on the endcaps to determine the top of the TcFIT-U.

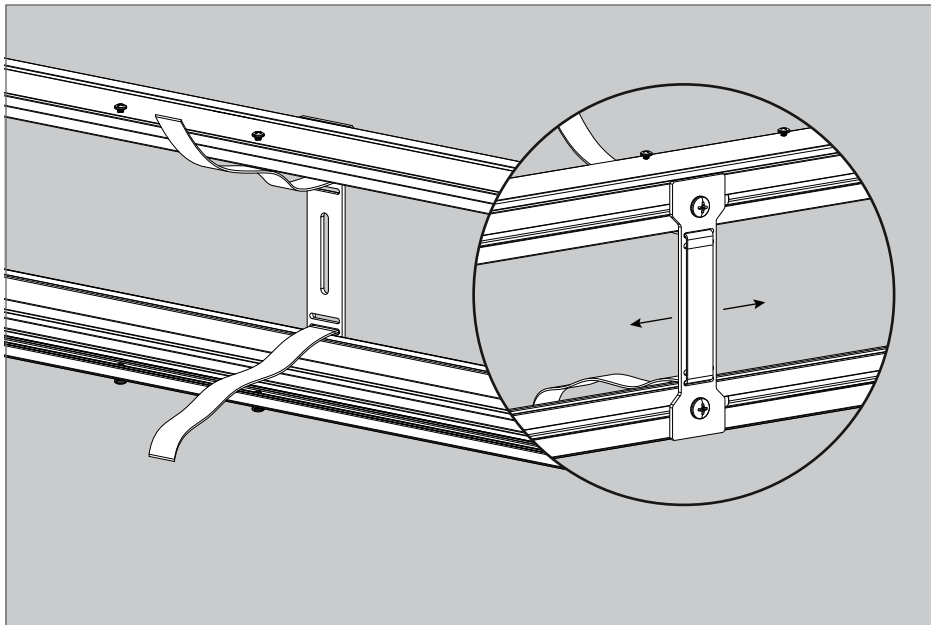


Fig. 2a
Non-mounted Soundbars

Soundbars and equipment that mounts from the bottom or does not utilize mounting hardware can be secured into the TcFIT-U with the provided hook and loop straps. To adjust the width between the straps, loosen the screws holding the adjustable equipment brackets on the back of the TcFIT-U and slide the brackets side-to-side.

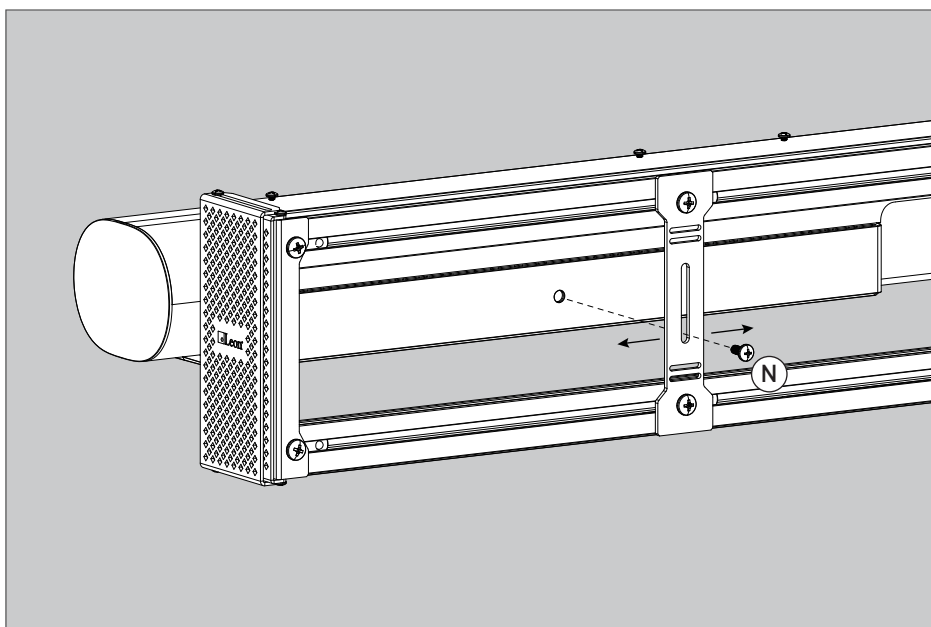


Fig. 2b
Rear-mounted Soundbars

Soundbars and other equipment that mounts from the rear can utilize the adjustable equipment brackets on the back of the TcFIT-U. Remove the hook and loop straps that are provided with TcFIT-U. Loosen the screws on each bracket and slide them side-to-side until the slots line up with the mounting hardware of the equipment.

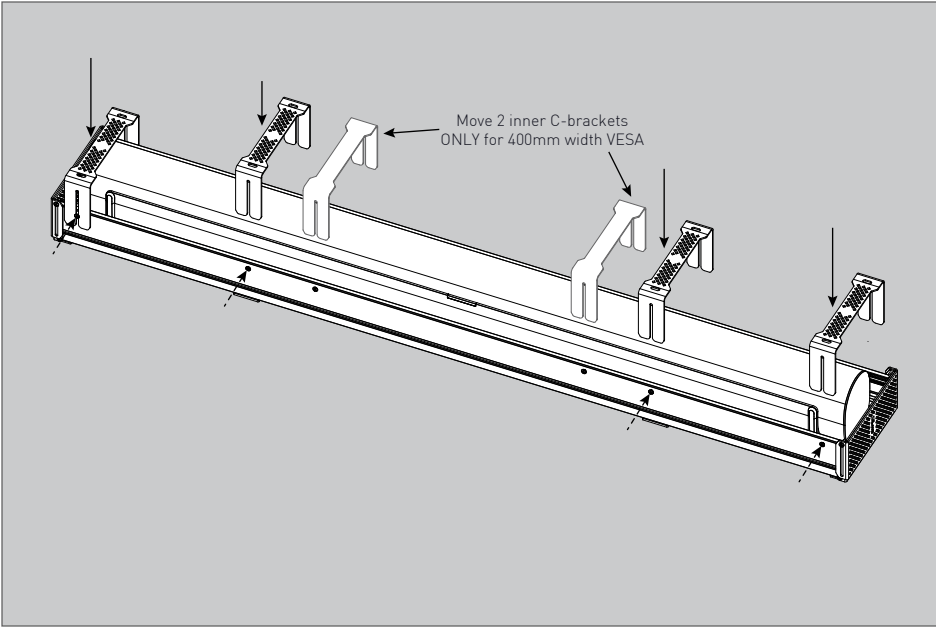


Fig. 3
Replace the C-brackets

Replace the 4 C-brackets that were removed in Fig 1. Slide each bracket in until it contacts the soundbar or equipment. Do not fully tighten the C-bracket screws yet.
NOTE: For TVs with 400mm wide VESA patterns only, the middle two C-brackets must be moved to the inner mounting locations.

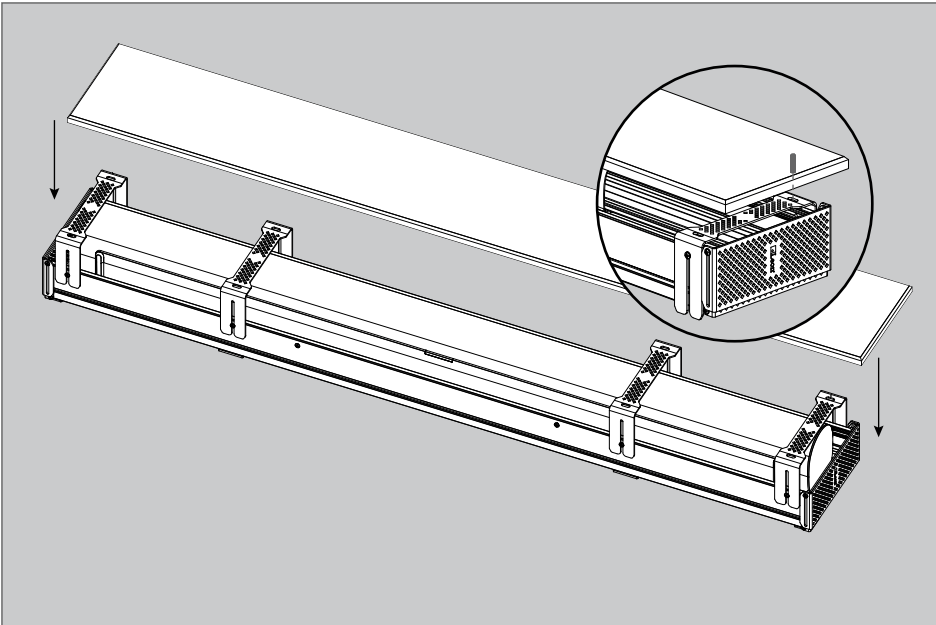


Fig. 4
Install the Grille

Mount the custom grille to the TcFIT-U. The threaded studs on the rear of the grille align with holes in the C-brackets, and the grille is held magnetically to the TcFIT-U.

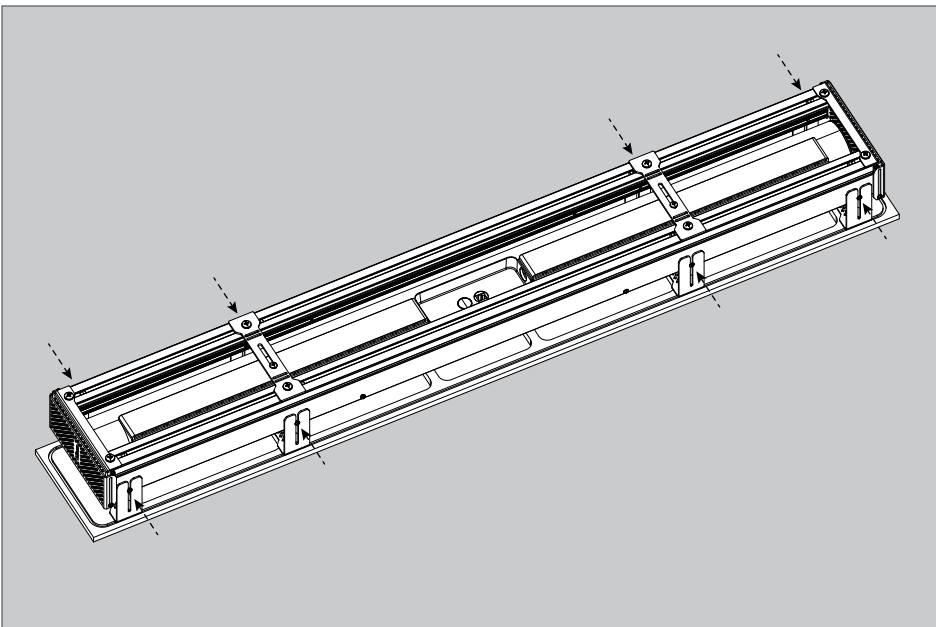


Fig. 5:
Tighten the C-brackets

Gently flip the entire assembly grille-down and place onto a soft, clean surface. Ensure that the C-brackets and grille are collapsed as far as possible so that the depth of the TcFIT-U is minimized. Tighten the 8 C-bracket screws.

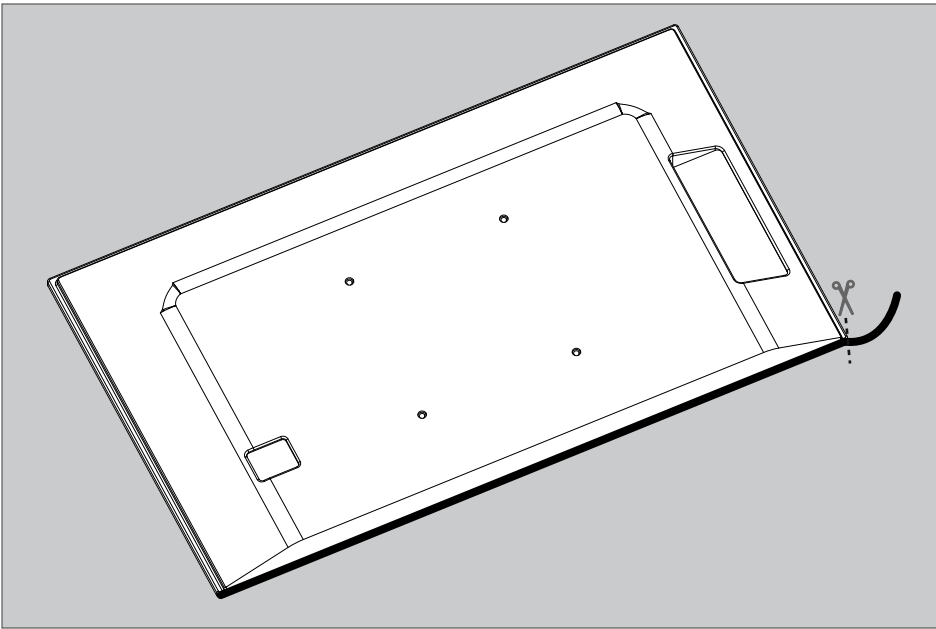


Fig. 6
Prepare TV

Place the TV face down on a clean, padded surface. Foam tape (L) can be used on the bottom front edge of the TV bezel to minimize gaps and reduce light from behind the TV. This is particularly necessary for TVs with clear bezels.

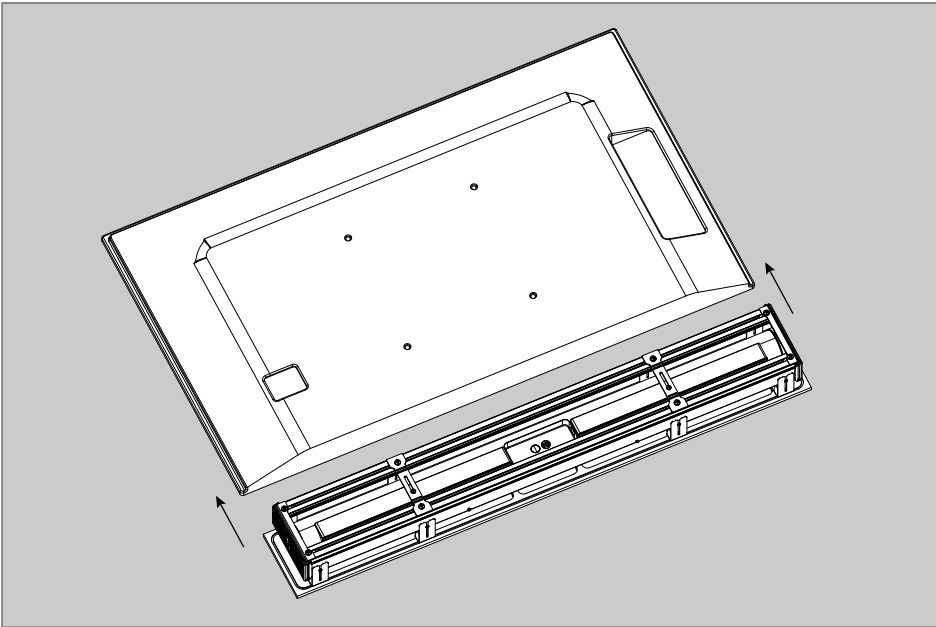


Fig. 7
Align TcFIT-U to TV

Tuck the TcFIT-U flush against the bottom of the TV and ensure the custom grille and TcFIT-U are horizontally centered on the TV. If the grille has a custom notch, ensure the TV bump is nested tightly into the cutout.

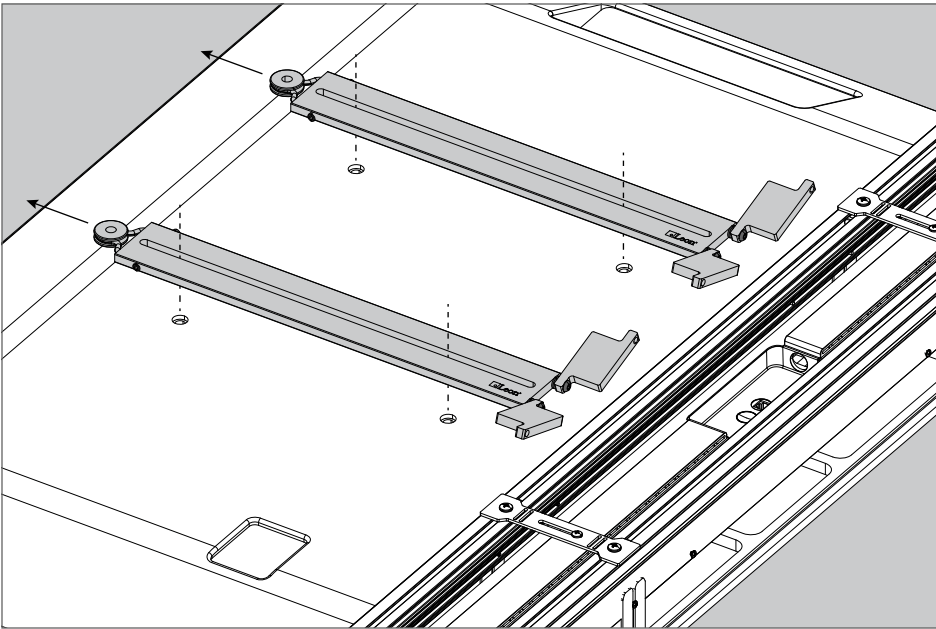


Fig. 8
Prep UMB

Unpack the UMB and loosen all hardware. Place the UMB assembly on the rear of the TV and align the slots in the adjustable uprights with the TV's VESA pattern. Extend the uprights so the grommets reach the upper VESA holes if necessary.

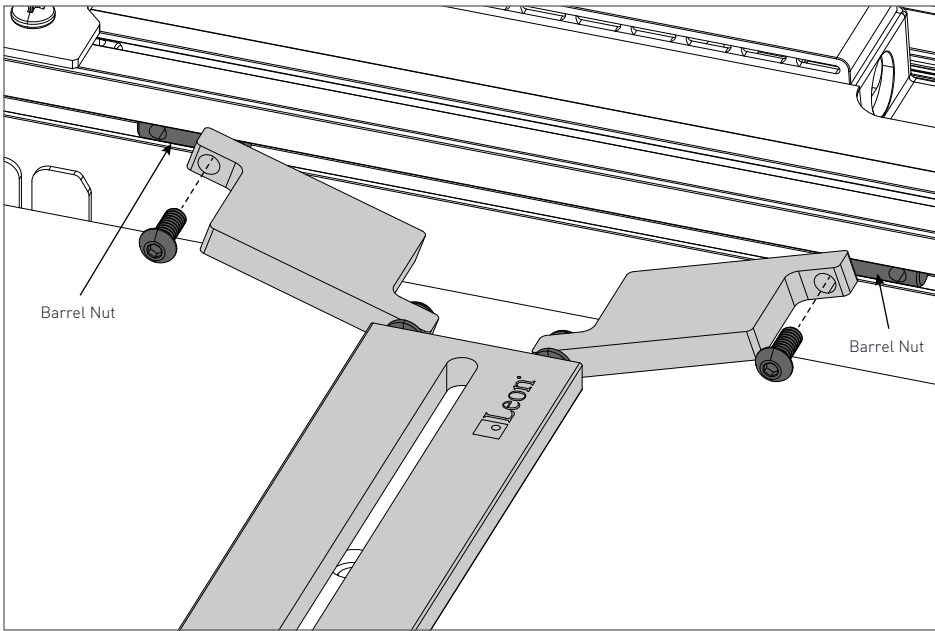


Fig. 9
Attach UMB to TcFIT-U

Find the 4 loose barrel nuts in the top slot of the TcFIT-U. Slide the barrel nuts so two are near the left UMB upright, and two are near the right UMB upright. Use the 1/4"-20 screws (K) to loosely connect the UMB swing arms to the barrel nuts.

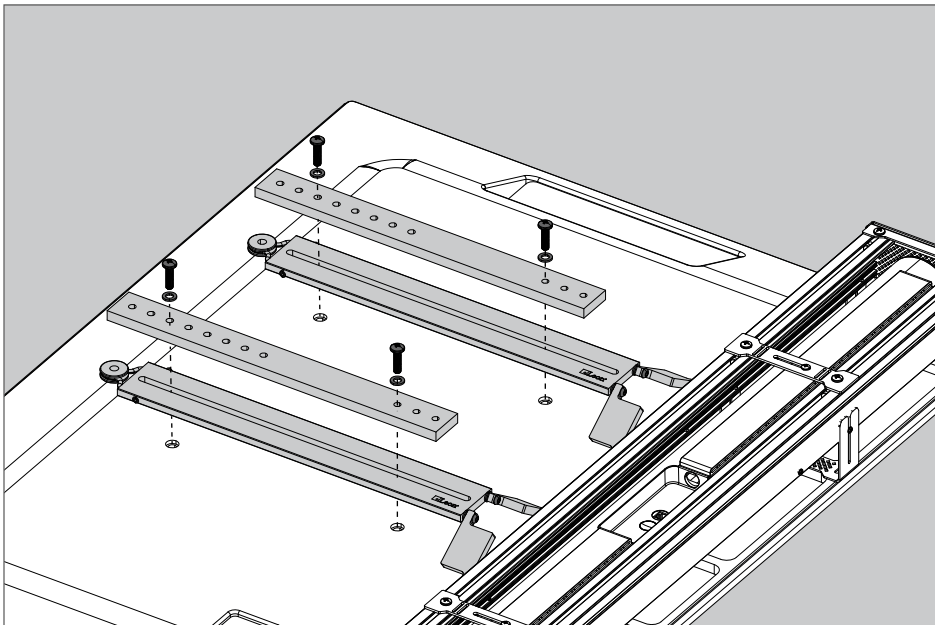


Fig. 10
Attach UMB to VESA

Place the TV bracket uprights on top of the UMB uprights and attach everything to the TV's VESA pattern using the included UMB hardware or TV bracket hardware. Use washers or spacers to ensure the UMB uprights and TV bracket uprights are evenly spaced from the TV.

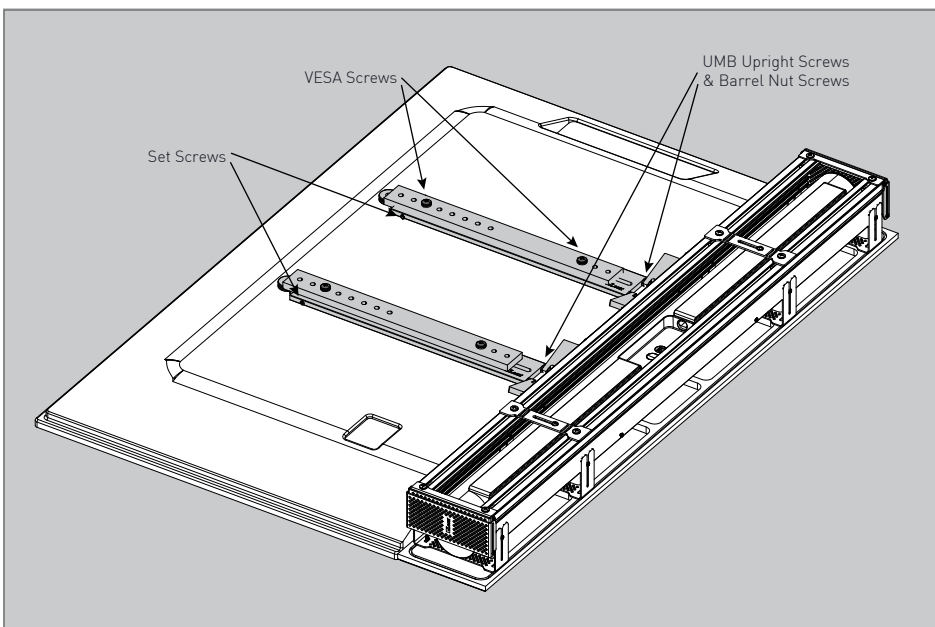


Fig. 11
Tighten Hardware

Gradually tighten all hardware, alternating between VESA hardware, the UMB swing arm screws, and the barrel nut screws. Ensure the UMB upright set screws are tight.

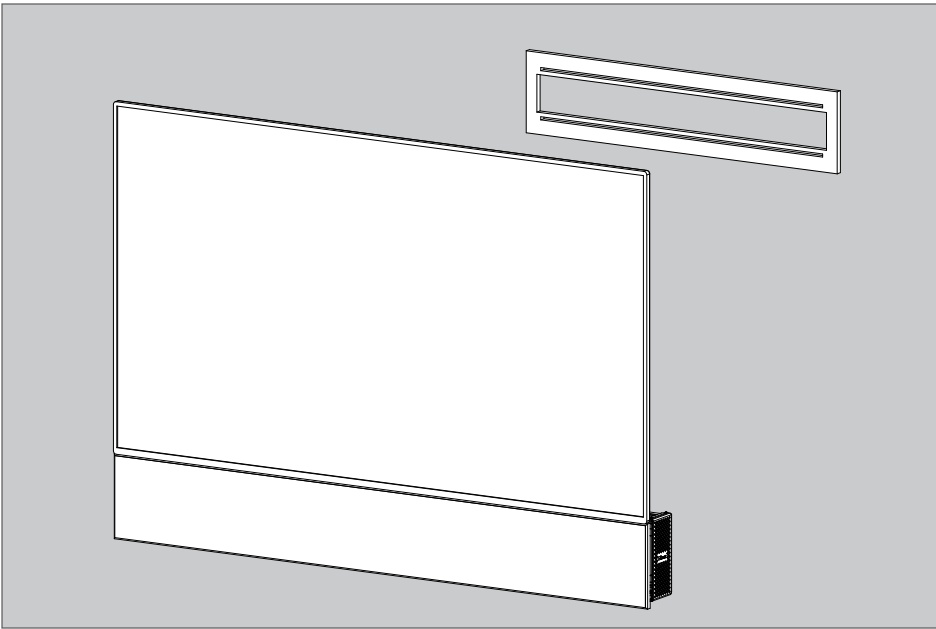


Fig. 12
Hang Assembly

Carefully lift the assembly by the TV so the TcFIT-U is supported by the UMB bracket only, and hang the TV on the TV bracket wall plate.

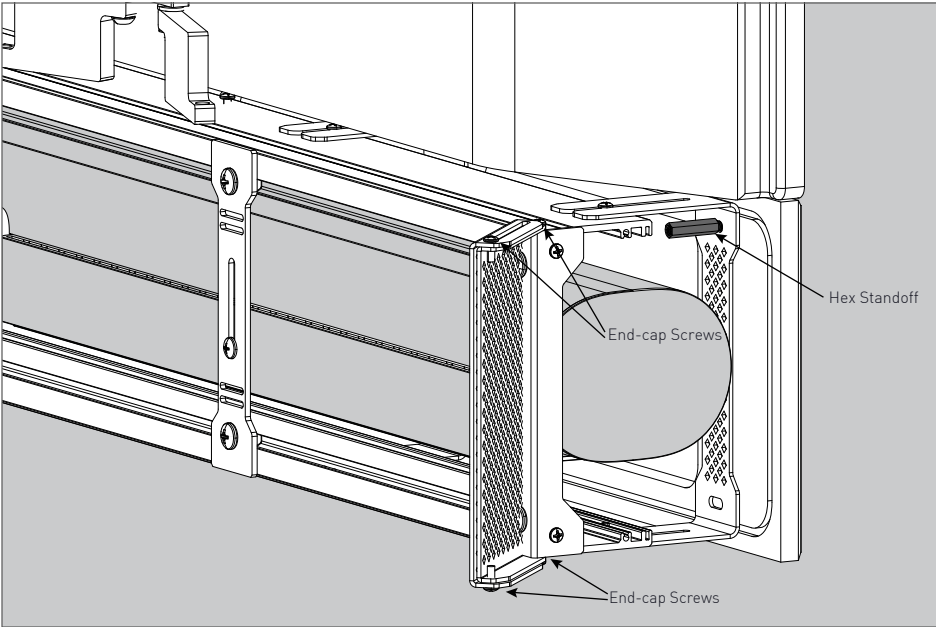


Fig. 13
Secure the Grille

Loosen the end-cap screws and rotate the end-caps out of the way. Attach the hex standoffs (M) to the grille studs to secure it to the TcFIT-U, ONLY if the standoffs do not interfere with the soundbar.

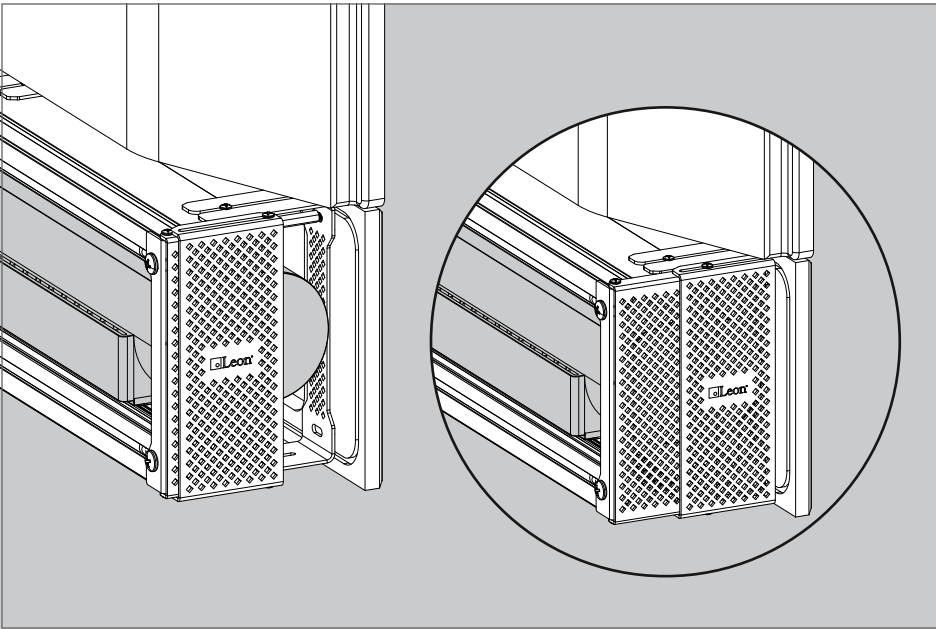


Fig. 14
Extend the End-Caps

Extend the end-cap plates so that they completely cover the side of the TcFIT-U and soundbar/equipment. Tighten the end-cap screws to complete the installation.

